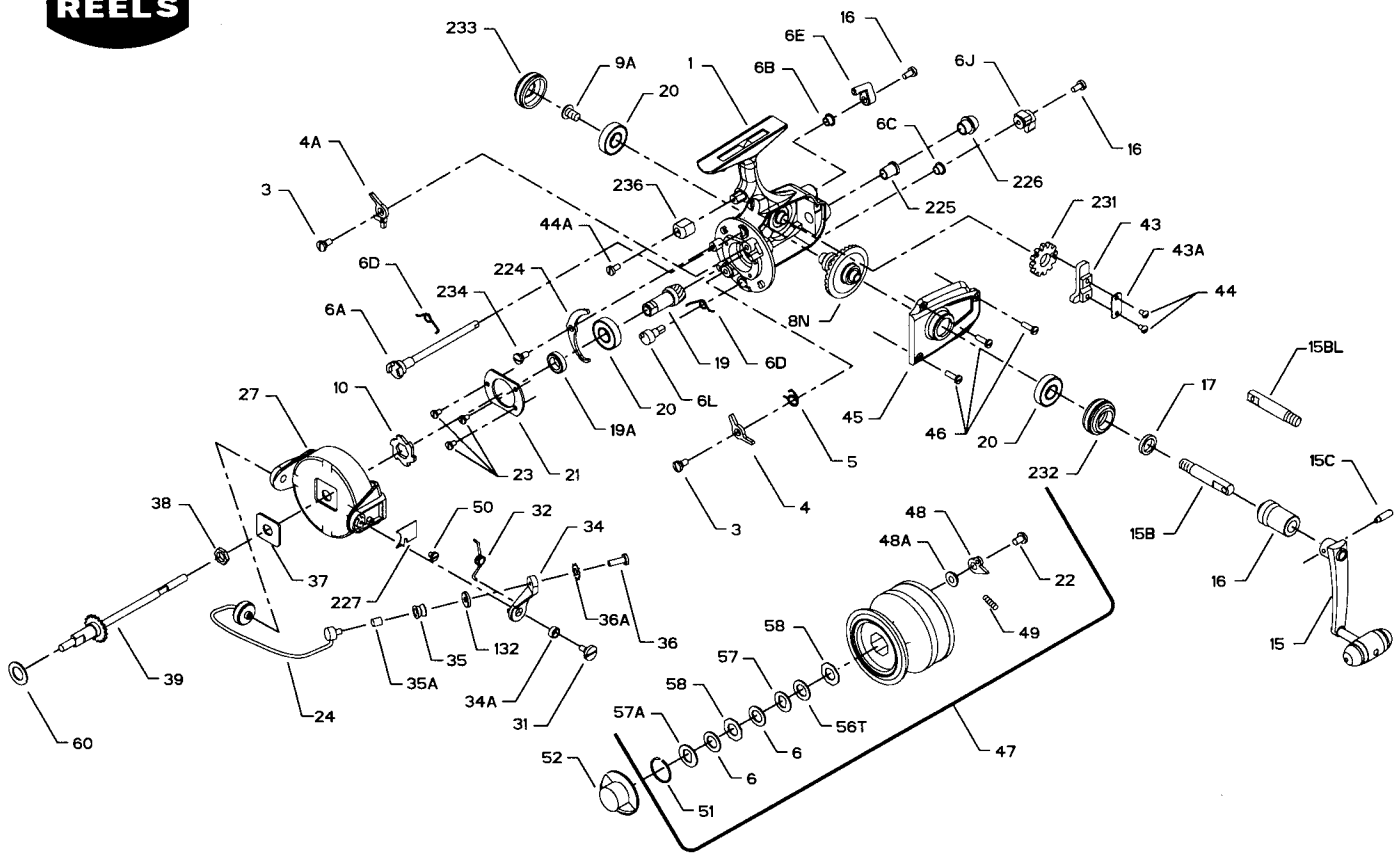




PARTS AND PRICE LIST FOR MODELS 750SS AND 850SS



| Key No. | Part No. | Description | Price | Key No. | Part No. | Description | Price |
|---------|----------|------------------------------|---------|---------|----------|--------------------------------|--------|
| 1 | 1-750 | Housing | \$23.35 | 34 | 34-750 | Bail Arm | \$2.65 |
| | 1-850 | Housing | 23.35 | 34A | 34A-750 | Bail Arm Bushing | .45 |
| 3 | 3-750 | Dog Screw | .80 | 35 | 35-750 | Line Roller | 3.70 |
| 4 | 4-750 | Dog | .80 | 35A | 35A-704 | Roller Sleeve | .45 |
| 4A | 4A-750 | Silent Dog | 1.50 | 36 | 36-750 | Bail Stud Screw | .45 |
| 5 | 5-704 | Click Dog Spring | .50 | 36A | 36A-750 | Lock Washer | .45 |
| 6 | 6-60 | Drag Washer HT100 | .70 | 37 | 37-706 | Rotor Washer | .60 |
| 6A | 6A-750 | Upper Eccentric | 1.35 | 38 | 38-710 | Rotor Nut | .50 |
| 6B | 6B-750 | Upper Eccentric Liner | .45 | 39 | 39-750 | Crosswind Shaft | 6.95 |
| 6C | 6B-704Z | Silent Eccentric Liner | .40 | 43 | 43-750 | Crosswind Block | 1.80 |
| 6D | 6D-710 | Eccentric Spring | .45 | 43A | 43A-750 | Crosswind Block Plate | .50 |
| 6E | 6E-750 | Anti-Reverse Lever | .90 | 44 | 44-750 | Crosswind Block Screw | .45 |
| 6J | 6J-750 | Silent Dog Lever | .90 | 44A | 44-750 | Trip Bumper Screw | .45 |
| 6L | 6L-750 | Silent Eccentric | 1.00 | 45 | 45-750 | Housing Cover | 4.10 |
| 7 | *7-750 | Pinion Bushing | 1.10 | 46 | 46-750 | Housing Cover Screw (2 req.) | .45 |
| 8 | 8-750 | Main Gear | 15.70 | 47 | 47-750 | Spool (Complete) | 27.50 |
| 9A | 9A-750 | Standard Drive Screw | .90 | 47 | 47-850 | Spool (Complete) | 27.50 |
| 10 | 10-750 | Ratchet | 1.50 | 48 | 48-750 | Click Tongue | .50 |
| 15 | 15-750 | Handle | 11.35 | 48A | 48A-750 | Click Tongue Washer | .50 |
| 15B | 15B-850 | Standard Pivot | 1.60 | 49 | 49-710 | Click Tongue Spring | .45 |
| 15BL | 15BL-850 | Left Hand Pivot | 1.60 | 50 | 50-712 | Bail Spring Cover Screw | .50 |
| 15C | 15C-750 | Pivot Screw | .50 | 51 | 51-704 | Retaining Ring | .45 |
| 16 | 16-850 | Collar | 1.40 | 52 | 52-750 | Drag Knob | 5.35 |
| 16A | 16-910 | Eccentric Screw | .45 | 56T | 56T-704 | Drag Washer | .50 |
| 17 | 17-750 | Seal Washer | .45 | 57 | 57-704 | Drag Washer (Keyed) Small Dia. | .50 |
| 19 | 19-750 | Pinion | 8.60 | 57A | 57A-750 | Drag Washer (Keyed) Large Dia. | .50 |
| 19A | 19A-750 | Pinion Spacer | .80 | 58 | 58-704 | Drag Washer (Octagon) | .50 |
| 20 | 20-700 | Bearing | 16.00 | 60 | 60-750 | Thrust Washer | .60 |
| 21 | 21-750 | Bearing Cover | 1.50 | 132 | 132-750 | Roller Washer | .80 |
| 22 | 22-750 | Spool Click Screw | .45 | 224 | 224-750 | Transfer Lever | 1.80 |
| 23 | 23-750 | Bearing Cover Screw (3 req.) | .45 | 225 | 225-750 | Crosswind Shaft Bushing | 1.50 |
| 24 | 24-750 | Bail Wire | 10.15 | 226 | 226-750 | Bushing Cap Screw | 1.00 |
| | 24-850 | Bail Wire | 10.15 | 227 | 227-750 | Bail Spring Cover | .45 |
| 27 | 27-750 | Rotor | 13.05 | 231 | 231-750 | Crosswind Gear | 1.80 |
| | 27-850 | Rotor | 13.05 | 232 | 232-750 | Bearing Cover (Open) | 2.15 |
| 31 | 31-750 | Bail Arm Screw | 1.00 | 233 | 233-750 | Bearing Cover (Closed) | 2.15 |
| 32 | 32-750 | Bail Arm Spring | .90 | 234 | 234-750 | Transfer Lever Screw | .45 |
| | | | | 236 | 236-750 | Trip Bumper | .50 |

*Not Shown